



FOAMULAR® CODEBORD® AIR BARRIER SYSTEM CLADDING MANUAL



This manual was developed and assembled for ease of use and guidance when installing cladding systems with the CodeBord® Air-Barrier System. It is essential that each user reviews and understand the details provided by and recommended by their cladding manufacturer, in order to correctly coordinate variances provided within this manual.

TABLE OF CONTENTS

VINYL SIDING 2
With Strapping (Best Practice) 2
Without Strapping 3

CEMENT BOARD SIDING 4
With Strapping (Best Practice) 4
Without Strapping 5

STUCCO SIDING 6
With Strapping (Best Practice) 6
Without Strapping (Not Recommended) 7

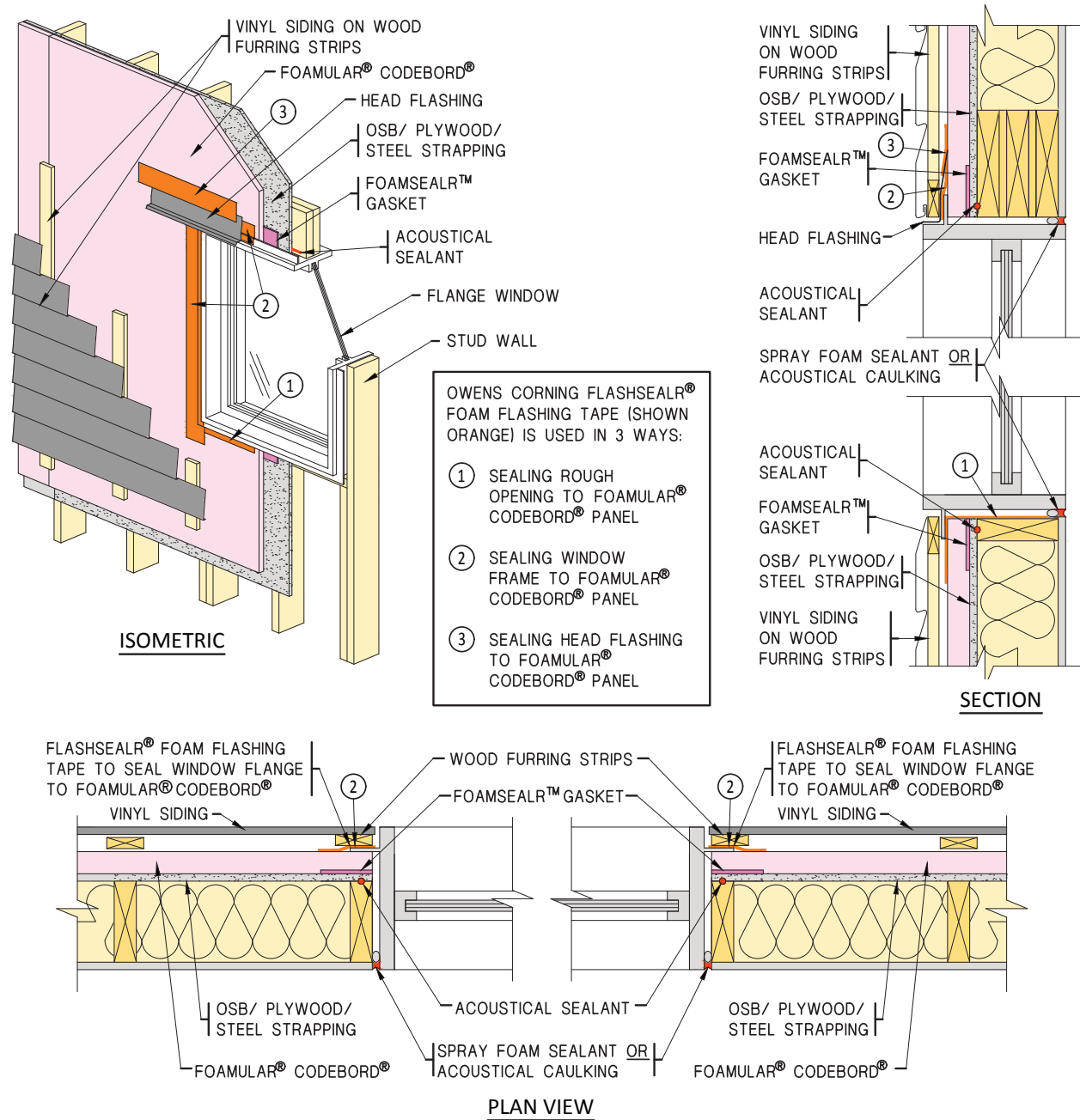
TABLES FOR FASTENER REQUIREMENTS IN RELATION TO FOAM THICKNESS 8
Studs 16” on-center 8
Studs 24” on-center 9

VINYL SIDING

Installation details for assemblies **with strapping – Rain Screen Assembly** (Best Practice & Recommended). ***Structural strapping required for all assemblies exceeding 1 inch thickness of CodeBord® XPS.

ASSEMBLY OUTLINE:

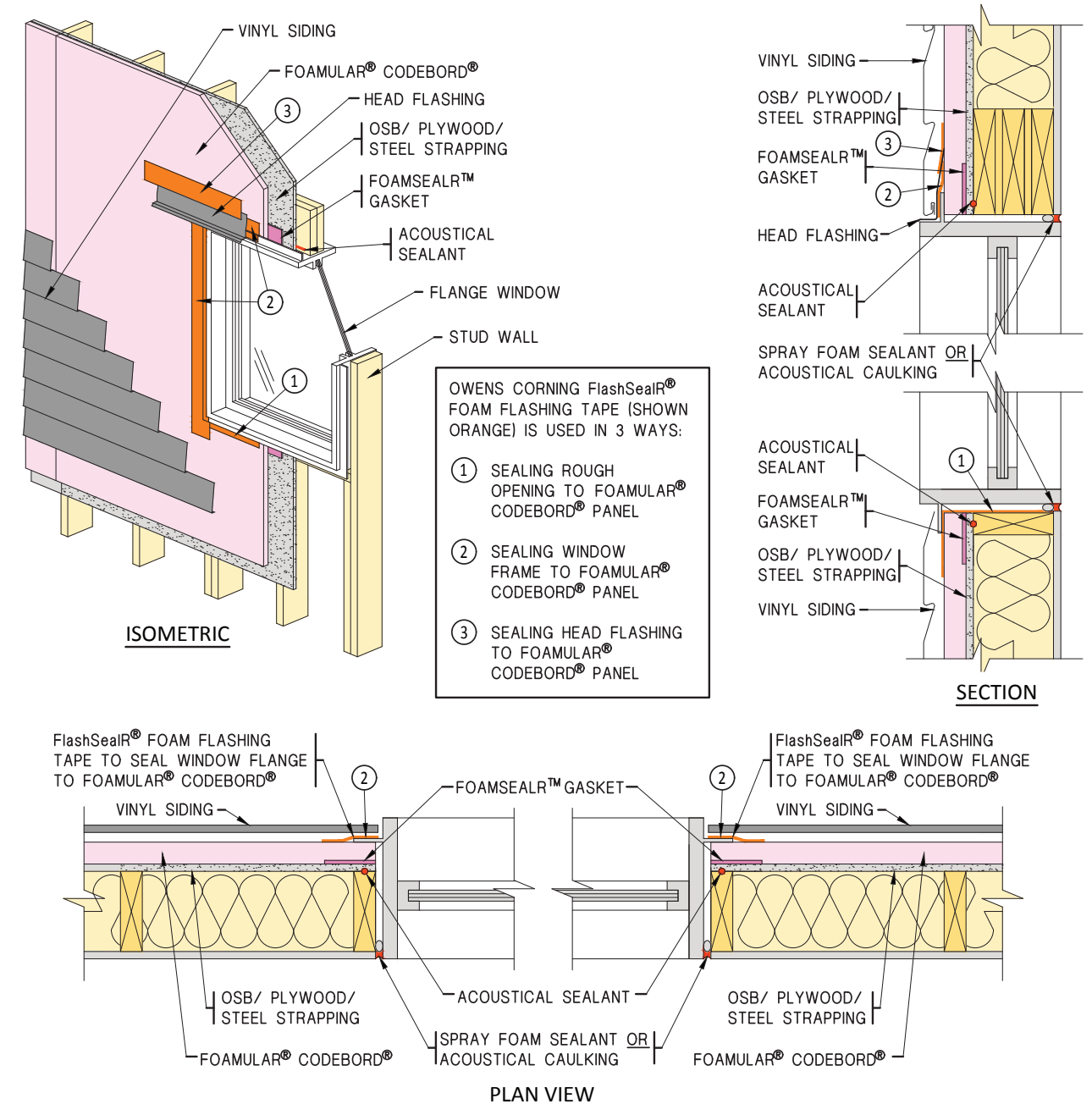
- Studded wall
- OSB/Plywood/Steel Strapping
- CodeBord® System
- Furring strips
- Vinyl siding (**Refer to your cladding manufacturers installation guides for support and specific information regarding fasteners and warranty**)



Installation details for assemblies **without strapping – Rain Screen Assembly** (Best Practice & Recommended). ***Structural strapping required for all assemblies exceeding 1 inch thickness of CodeBord® XPS.

ASSEMBLY OUTLINE:

- Studded wall
- OSB/Plywood/Steel Strapping
- CodeBord® System
- Vinyl siding (**Refer to your cladding manufacturers installation guides for support and specific information regarding fasteners and warranty**)

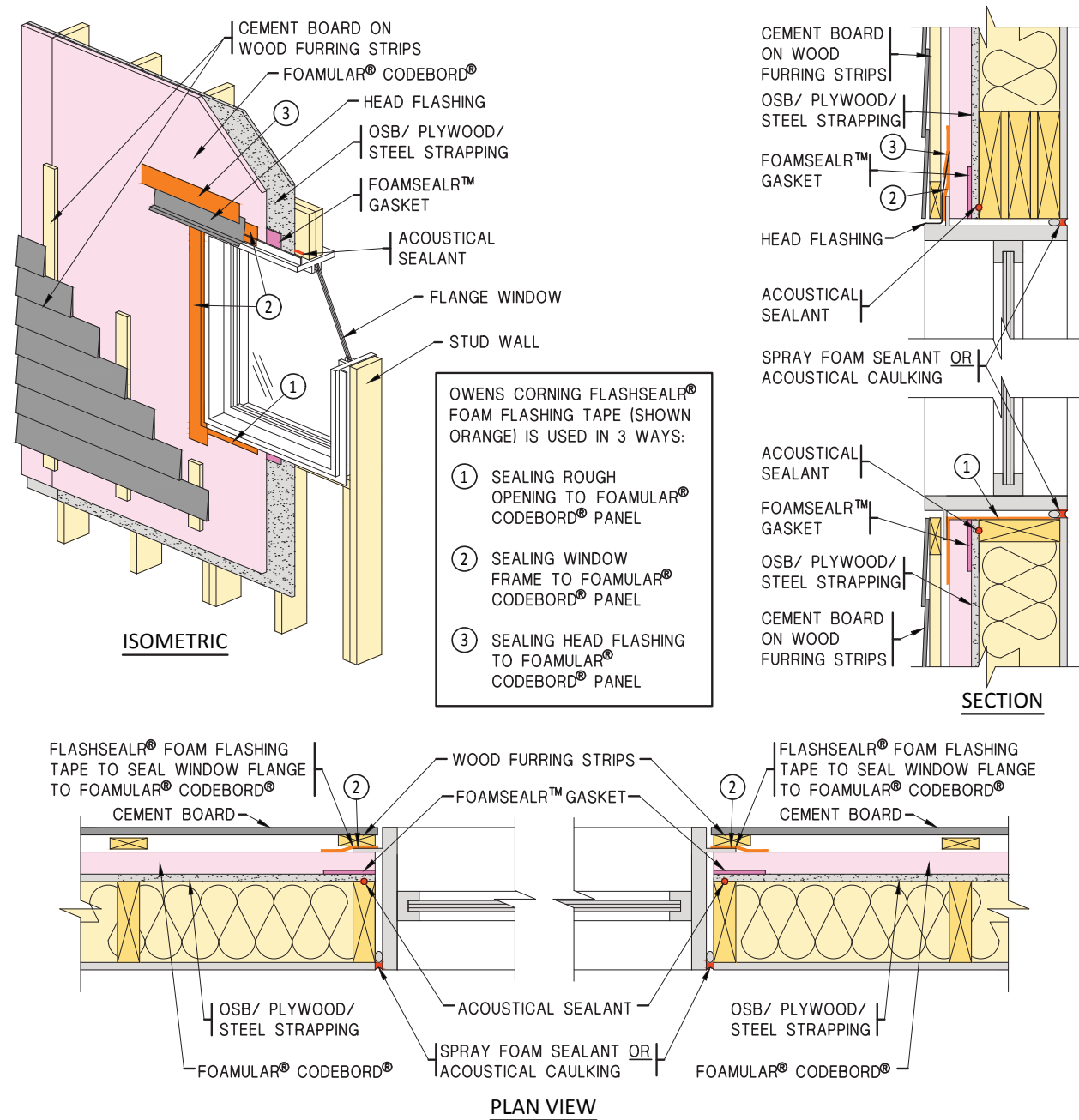


CEMENT BOARD

Installation details for assemblies **with strapping – Rain Screen Assembly** (Best Practice & Recommended). ***Structural strapping required for all assemblies exceeding 1 inch thickness of CodeBord® XPS.

ASSEMBLY OUTLINE:

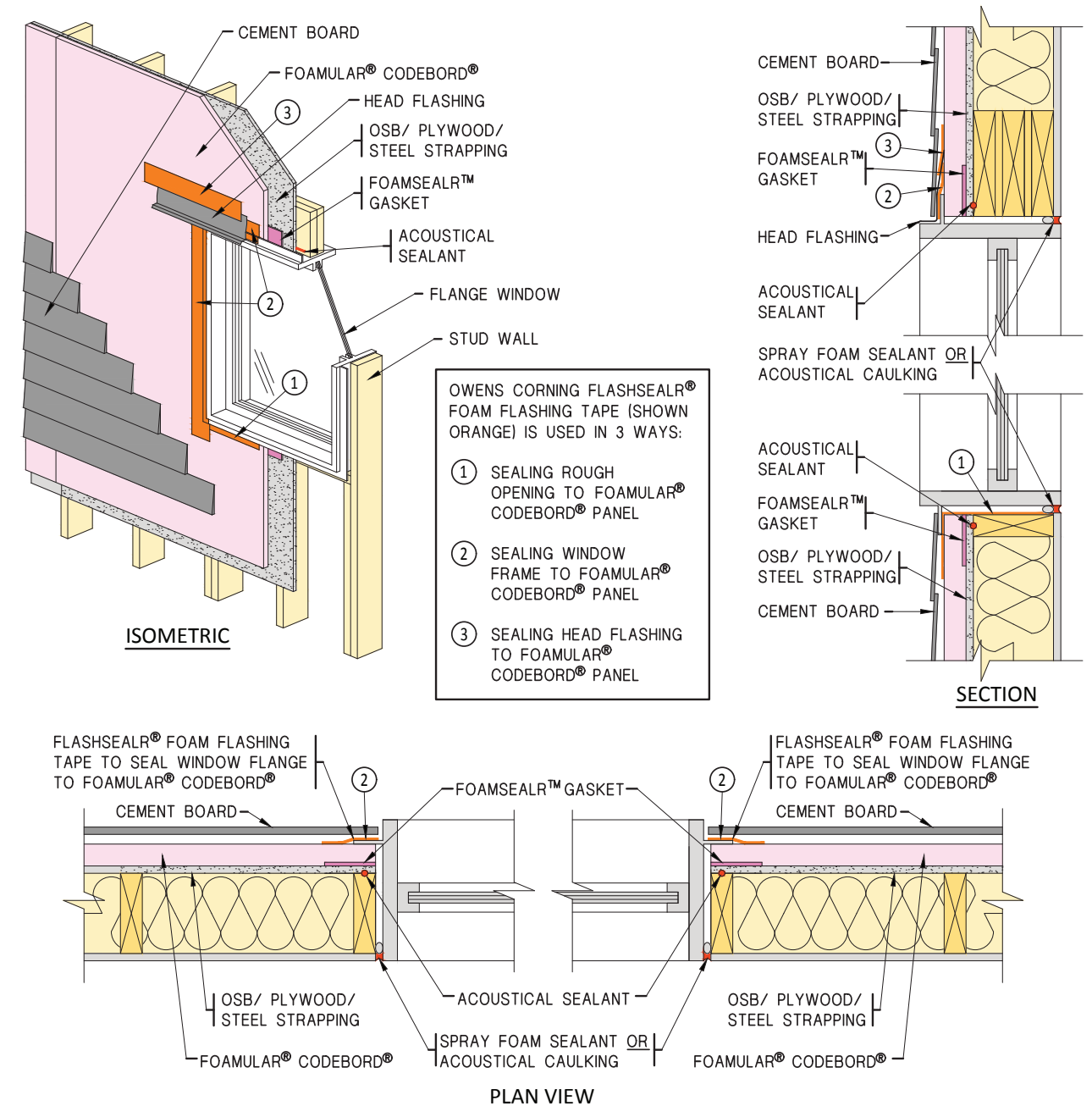
- Studded wall
- OSB/Plywood/Steel Strapping
- CodeBord® System
- Furring strips
- Vinyl siding (**Refer to your cladding manufacturers installation guides for support and specific information regarding fasteners and warranty**)



Installation details for assemblies **without strapping – Rain Screen Assembly** (Best Practice & Recommended). ***Structural strapping required for all assemblies exceeding 1 inch thickness of CodeBord® XPS.

ASSEMBLY OUTLINE:

- Studded wall
- OSB/Plywood/Steel Strapping
- CodeBord® System
- Cement board siding (**Refer to your cladding manufacturers installation guides for support and specific information regarding fasteners and warranty**)

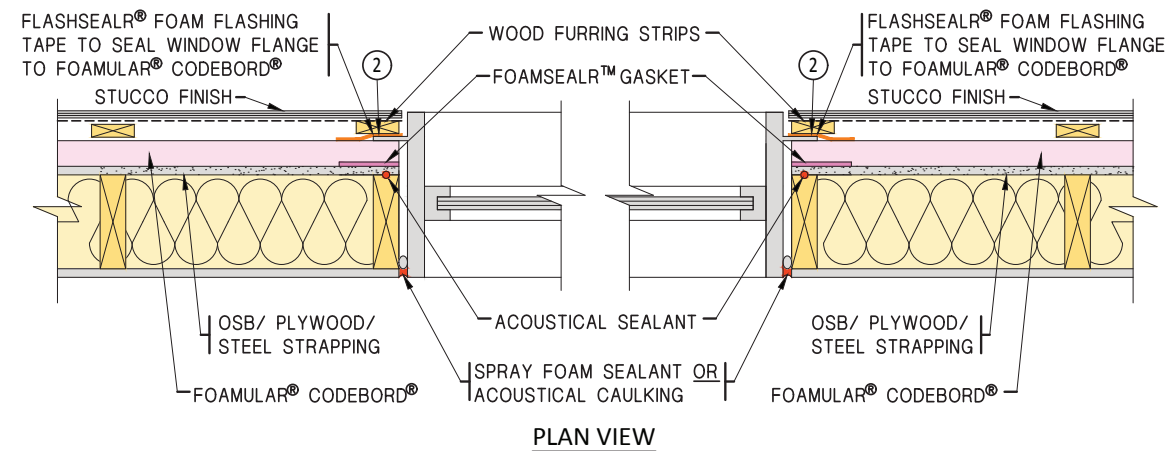
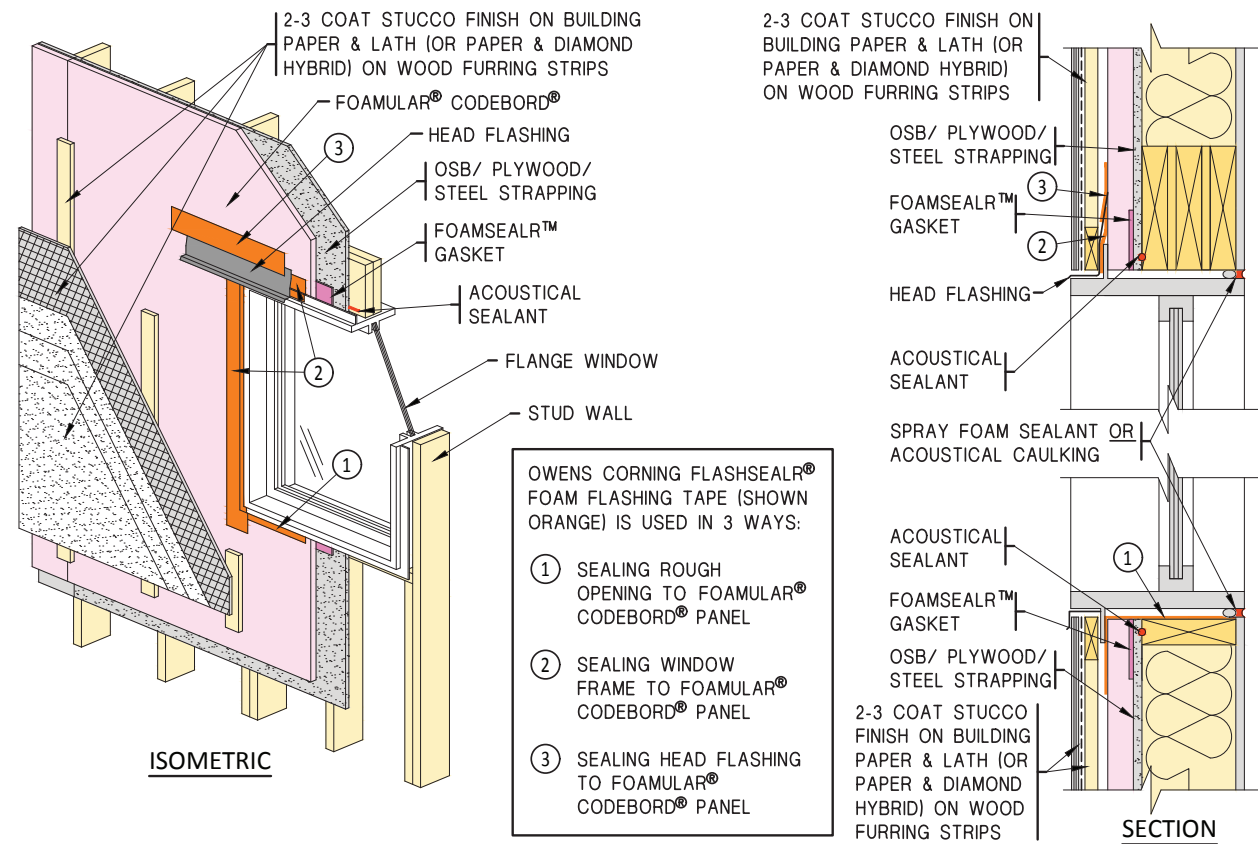


STUCCO

Installation details for assemblies **with strapping – Rain Screen Assembly** (Best Practice & Recommended). ***Structural strapping required for all assemblies exceeding 1 inch thickness of CodeBord® XPS.

ASSEMBLY OUTLINE:

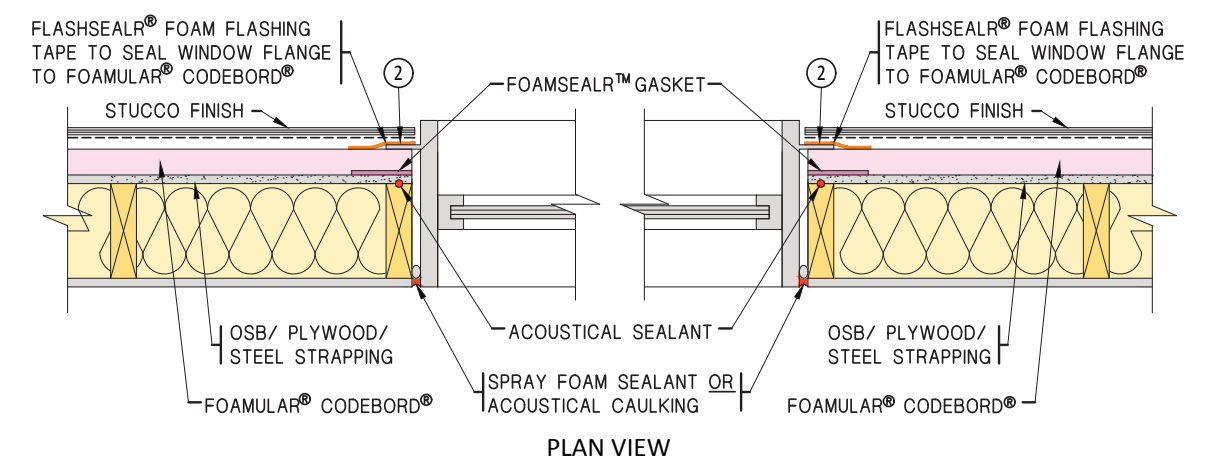
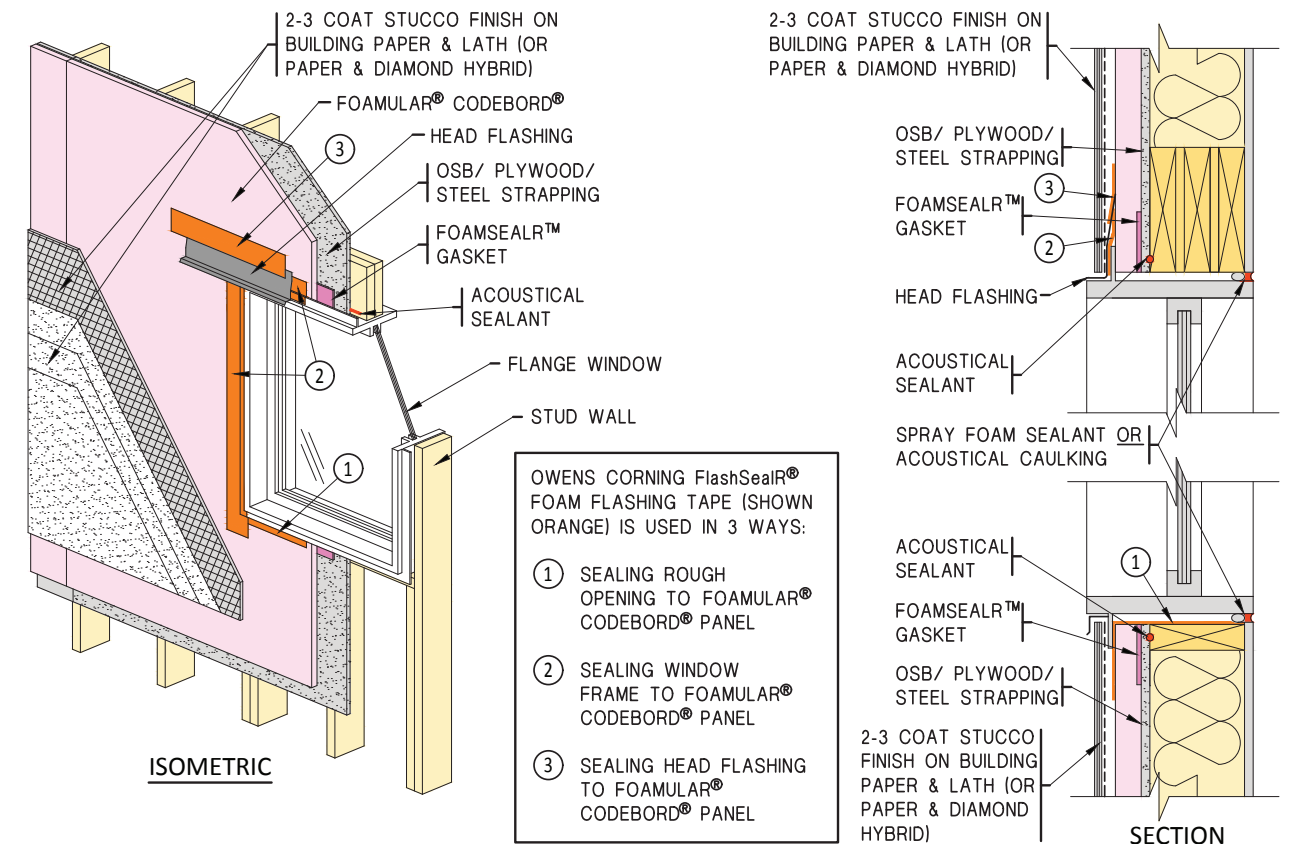
- Studded wall
- OSB/Plywood/Steel Strapping
- CodeBord® System
- Furring strips
- Building paper & lath [OR] Paper & Diamond Hybrid (Recommended TyLath by ADEX)
- 2-3 Coat stucco according to manufacturer's specifications



Installation details for assemblies **without strapping – Rain Screen Assembly** (Best Practice & Recommended). ***Structural strapping required for all assemblies exceeding 1 inch thickness of CodeBord® XPS.

ASSEMBLY OUTLINE:

- Studded wall
- OSB/Plywood/Steel Strapping
- CodeBord® System
- Building paper & lath [OR] Paper & Diamond Hybrid (TyLath by Adex or similar)
- 2-3 Coat stucco according to manufacturer's specifications



TABLES FOR FASTENER REQUIREMENTS IN RELATION TO FOAM THICKNESS

**TABLE R703.15.1
CLADDING MINIMUM FASTENING REQUIREMENTS FOR DIRECT ATTACHMENT OVER FOAM PLASTIC SHEATHING TO SUPPORT CLADDING WEIGHT^a**

CLADDING FASTENER THROUGH FOAM SHEATHING	CLADDING FASTENER TYPE AND MINIMUM SIZE ^b	CLADDING FASTENER VERTICAL SPACING (INCHES)	MAXIMUM THICKNESS OF FOAM SHEATHING ^c (INCHES)					
			16" O.C. FASTENER HORIZONTAL SPACING			24" O.C. FASTENER HORIZONTAL SPACING		
			CLADDING WEIGHT			CLADDING WEIGHT		
			3 PSF	11 PSF	25 PSF	3 PSF	11 PSF	25 PSF
WOOD FRAMING (MINIMUM 1 1/4 INCH PENETRATION)	0.113" DIAMETER NAIL	6	2	1	DR	2	0.75	DR
		8	2	1	DR	2	0.5	DR
		12	2	0.5	DR	2	DR	DR
	0.120" DIAMETER NAIL	6	3	1.5	0.5	3	0.75	DR
		8	3	1	DR	3	0.5	DR
		12	3	0.5	DR	2	DR	DR
	0.131" DIAMETER NAIL	6	4	2	0.75	4	1	DR
		8	4	1.5	0.5	4	0.75	DR
		12	4	0.75	DR	2	0.5	DR
	0.162" DIAMETER NAIL	6	4	4	1.5	4	2	1
		8	4	3	1	4	1.5	0.75
		12	4	2	0.75	4	1	DR

For SI: 1 inch = 25.4 mm, 1 pound per square foot = 0.0479 kPa, 1 pound per square inch = 6.895 kPa.

DR = Design required.

O.C. = On Centre.

a. Wood framing shall be Spruce-pine-fir or any wood species with a specific gravity of 0.42 or greater in accordance with AWC NDS.

b. Nail fasteners shall comply with ASTM F 1667, except nail length shall be permitted to exceed ASTM F 1667 standard lengths.

c. Foam sheathing shall have a minimum compressive strength of 15 psi in accordance with ASTM C 578 or ASTM C 1289.

**TABLE R703.15.2
FURRING MINIMUM FASTENING REQUIREMENTS FOR APPLICATION OVER FOAM PLASTIC SHEATHING TO SUPPORT CLADDING WEIGHT^{a,b}**

FURRING MATERIAL	FRAMING MEMBER	FASTENER TYPE AND MINIMUM SIZE	MINIMUM PENETRATION INTO WALL FRAMING (INCHES)	FASTENER SPACING IN FURRING (INCHES)	MAXIMUM THICKNESS OF FOAM SHEATHING ^d (INCHES)					
					16" O.C. FURRING ^e			24" O.C. FURRING ^e		
					SIDING WEIGHT:			SIDING WEIGHT:		
					3 PSF	11 PSF	25 PSF	3 PSF	11 PSF	25 PSF
MINIMUM 1 X WOOD FURRING ^c	MINIMUM 2 X WOOD STUD	0.131" DIAMETER NAIL	1 1/4"	8	4	2	1	4	1.5	DR
				12	4	1.5	DR	3	1	DR
				16	4	1	DR	3	0.5	DR
		0.162" DIAMETER NAIL	1 1/4"	8	4	4	1.5	4	2	0.75
				12	4	2	0.75	4	1.5	DR
				16	4	1.5	DR	4	1	DR
		NO. 10 WOOD SCREW	1"	12	4	2	0.75	4	1.5	DR
				16	4	1.5	DR	4	1	DR
				24	4	1	DR	3	DR	DR
		1/4" LAG SCREW	1 1/2"	12	4	3	1	4	2	0.5
				16	4	1.5	DR	4	1.5	DR
				24	4	1.5	DR	4	0.75	DR

For SI: 1 inch = 25.4 mm, 1 pound per square foot = 0.0479 kPa, 1 pound per square inch = 6.895 kPa.

DR = Design required.

O.C. = On Centre.

a. Wood framing and furring shall be Spruce-pine-fir or any wood species with a specific gravity of 0.42 or greater in accordance with AWC NDS.

b. Nail fasteners shall comply with ASTM F 1667, except nail length shall be permitted to exceed ASTM F 1667 standard lengths.

c. Where the required cladding fastener penetration into wood material exceeds 3/4 inch and is not more than 1 1/2 inches, a minimum 2x wood furring or an approved design shall be used.

d. Foam sheathing shall have a minimum compressive strength of 15 psi in accordance with ASTM C 578 or ASTM C 1289.

e. Furring shall be spaced not more than 24 inches on centre, in a vertical or horizontal orientation. In a vertical orientation, furring shall be located over wall studs and attached with the required fastener spacing. In a horizontal orientation, the indicated 8-inch and 12-inch fastener spacing in furring shall be achieved by use of two fasteners into studs at 16 inches and 24 inches on centre, respectively.

For further assistance in installing cladding items when using the CodeBord® please contact:

Ryan Dennis – Technical Manager, Western Canada

Ryan.dennis@owenscorning.com

1-866-207-9819



FOAMULAR® Extruded Polystyrene Insulation



OWENS CORNING CANADA LP
 3450 McNicoll Avenue,
 Scarborough, Ontario M1V 1Z5

1-800-GET-PINK®
www.owenscorning.ca