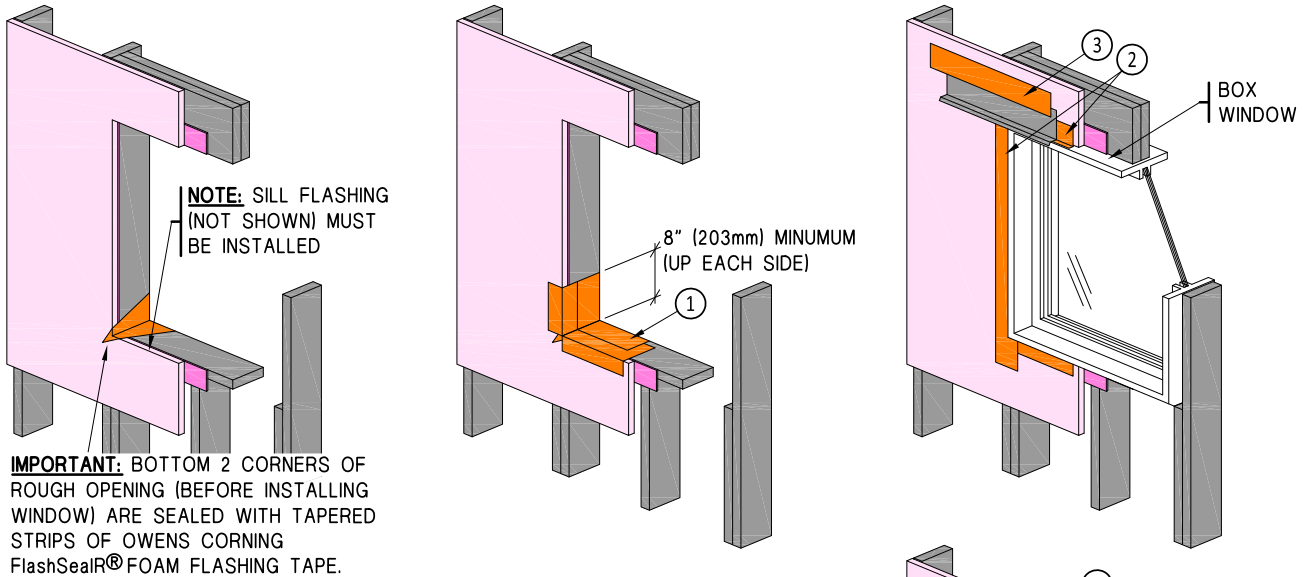
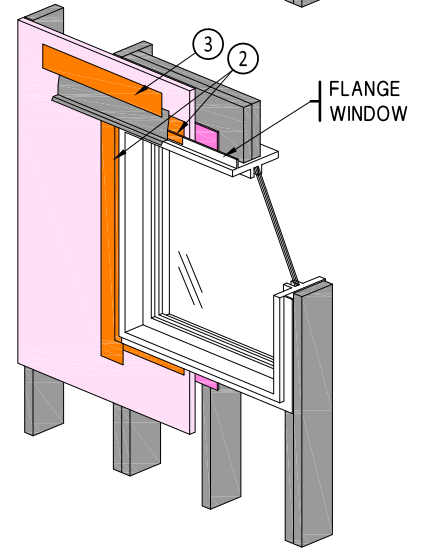
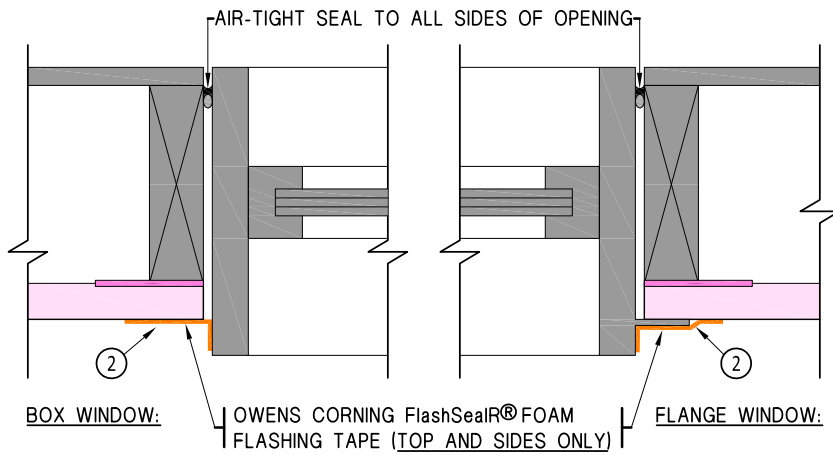


FOAMULAR® CODEBORD® AIR BARRIER SYSTEM

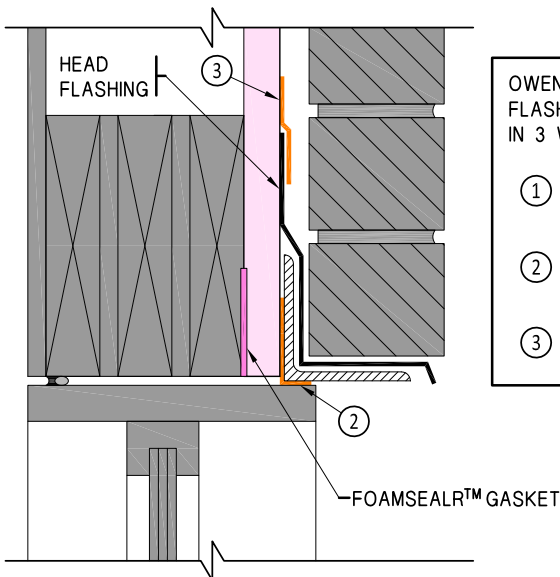


**IMPORTANT:** BOTTOM 2 CORNERS OF ROUGH OPENING (BEFORE INSTALLING WINDOW) ARE SEALED WITH TAPERED STRIPS OF OWENS CORNING FlashSealR® FOAM FLASHING TAPE.

PLAN VIEW:



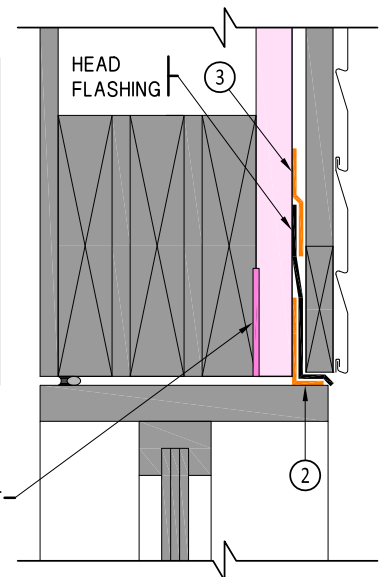
SECTION (BRICK VENEER):



OWENS CORNING FlashSealR® FOAM FLASHING TAPE (SHOWN ORANGE) USED IN 3 WAYS:

- ① SEALING ROUGH OPENING TO FOAMULAR® CODEBORD® PANEL
- ② SEALING WINDOW FRAME TO FOAMULAR® CODEBORD® PANEL
- ③ SEALING HEAD FLASHING TO FOAMULAR® CODEBORD® PANEL

SECTION (VINYL SIDING):



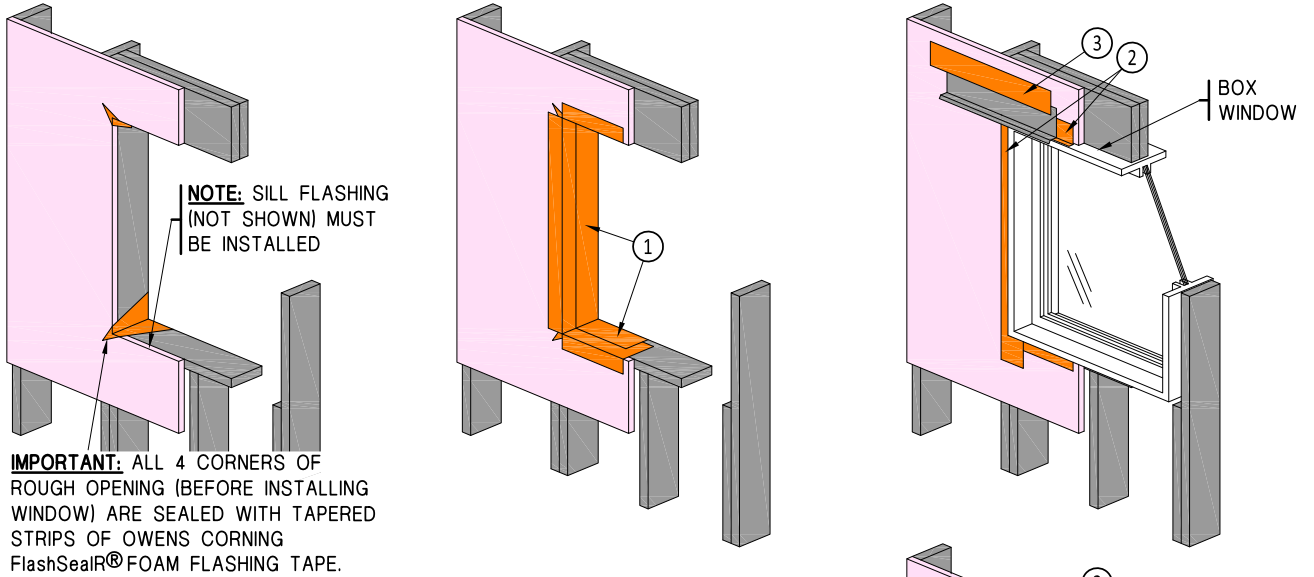
OPTION 'A':

WINDOW SEALING DETAILS

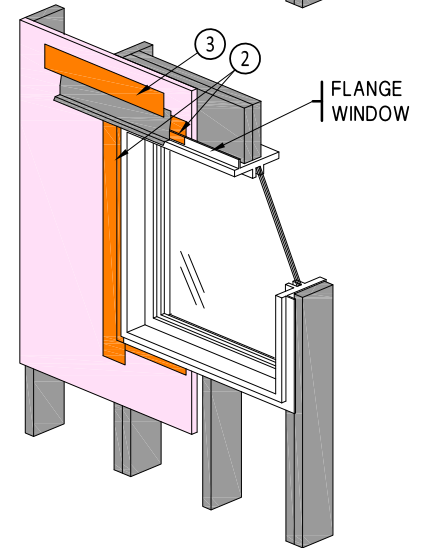
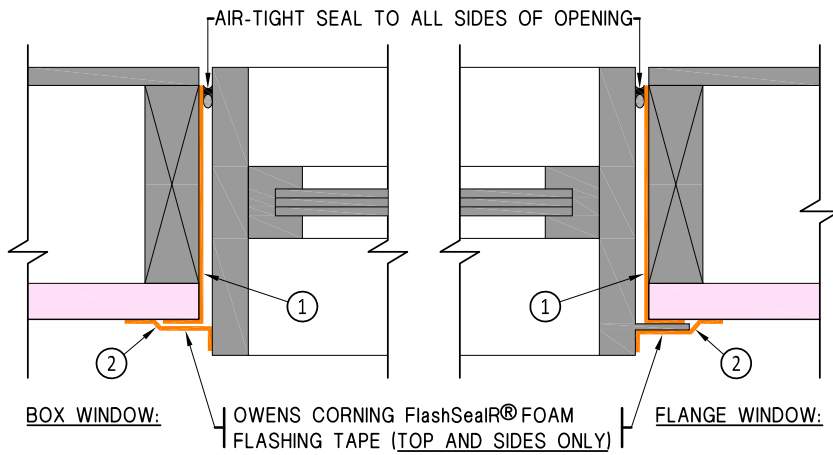
<b>DOOR-WIND</b>	
DATE:	JUN 14/2013
DRWN BY:	BLR D&D



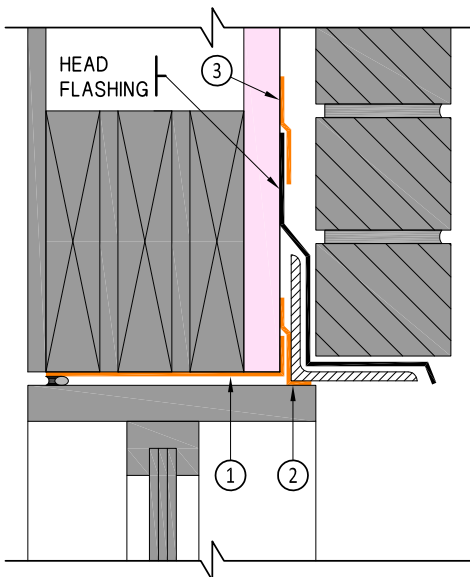
FOAMULAR® CODEBORD® AIR BARRIER SYSTEM



PLAN VIEW:

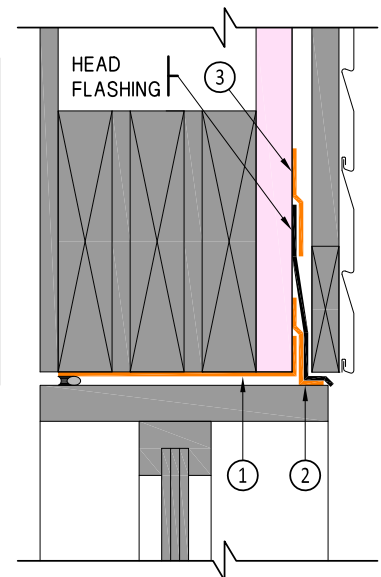


SECTION (BRICK VENEER):



- OWENS CORNING FlashSealR® FOAM FLASHING TAPE (SHOWN ORANGE) USED IN 3 WAYS:
- ① SEALING ROUGH OPENING TO FOAMULAR® CODEBORD® PANEL
  - ② SEALING WINDOW FRAME TO FOAMULAR® CODEBORD® PANEL
  - ③ SEALING HEAD FLASHING TO FOAMULAR® CODEBORD® PANEL

SECTION (VINYL SIDING):



OPTION 'B':

WINDOW SEALING DETAILS

<b>DOOR-WIND</b>	
DATE:	JUN 14/2013
DRWN BY:	BLR D&D

