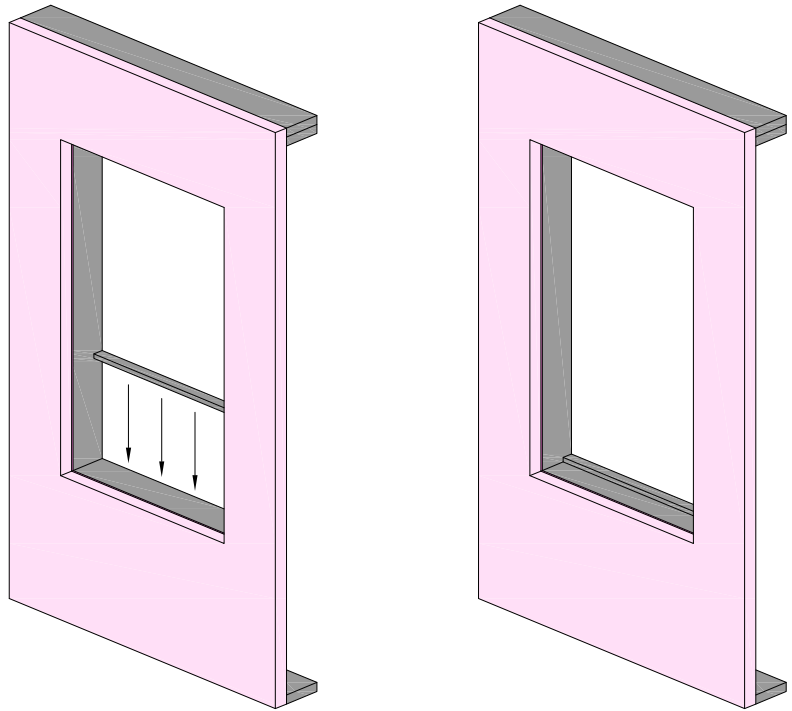
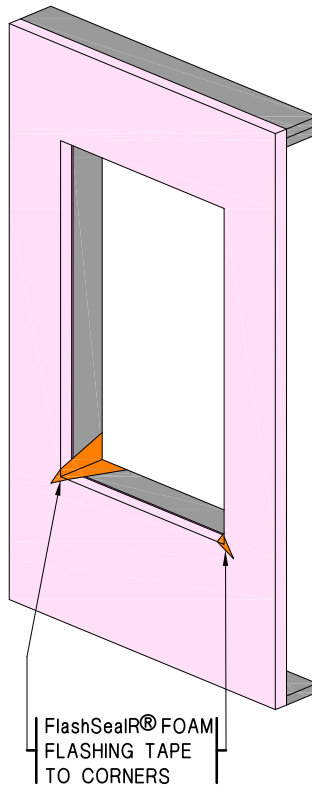


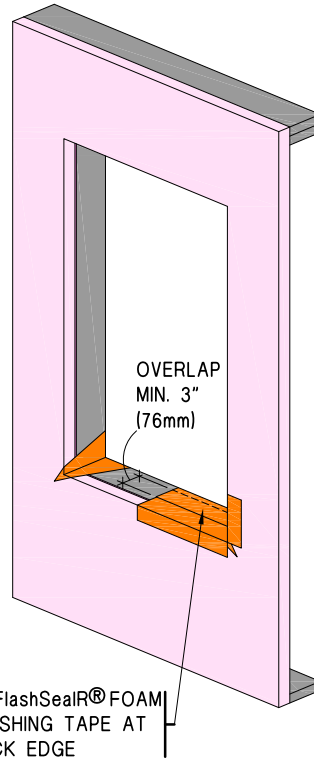
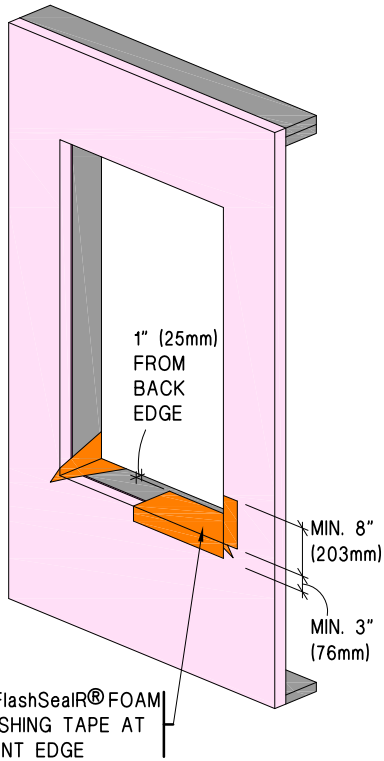
STEP 1:
INSTALL INSULATING SHEATHING



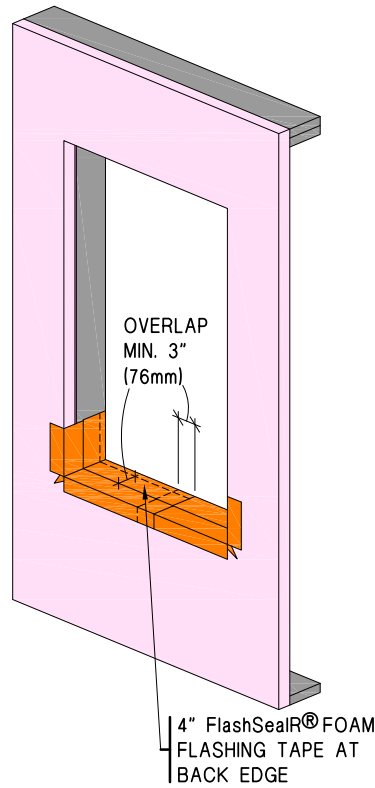
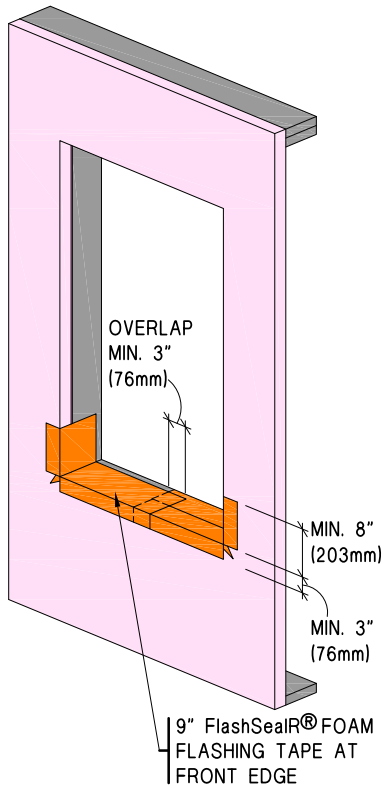
STEP 2: (If sill not sloped)
INSTALL BACKDAM



STEP 3:
INSTALL CORNER FLASHING PIECES



STEP 4:
INSTALL FIRST 2 PIECES OF SILL FLASHING

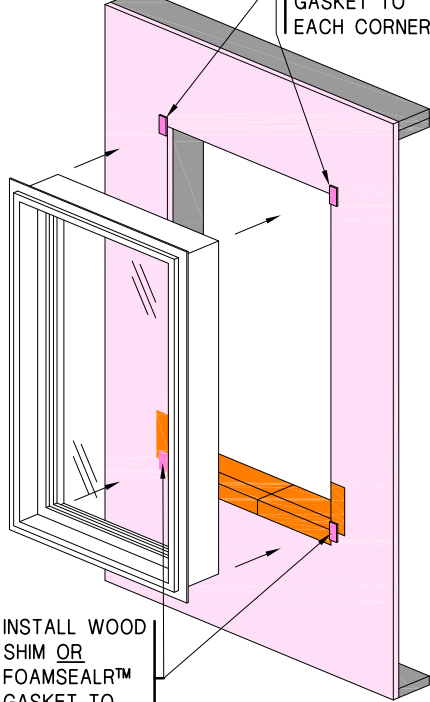


STEP 5:
INSTALL SECOND 2 PIECES OF SILL FLASHING

FOAMULAR® CODEBORD® AIR BARRIER SYSTEM

NOTE: GAP IS REQUIRED BEHIND WINDOW FLANGE FOR SILL DRAINAGE.

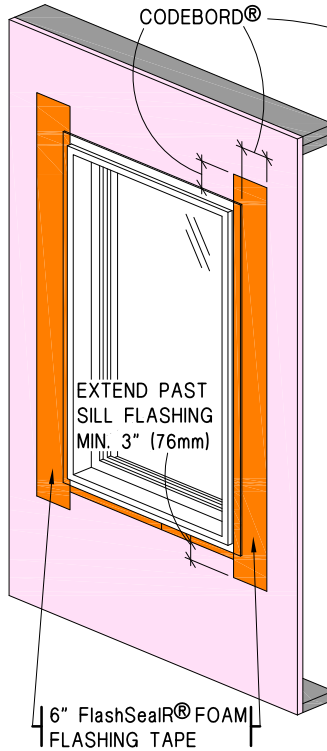
INSTALL WOOD SHIM OR FOAMSEALR™ GASKET TO EACH CORNER



INSTALL WOOD SHIM OR FOAMSEALR™ GASKET TO EACH CORNER

STEP 6: (Flanged Window) INSTALL SHIMS & WINDOW

MIN. 4" (102mm) ON FOAMULAR® CODEBORD®

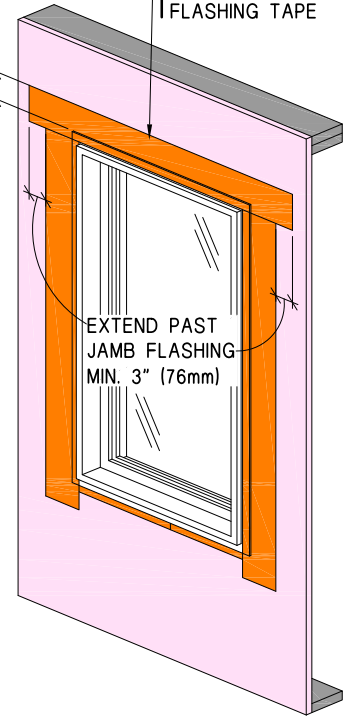


EXTEND PAST SILL FLASHING MIN. 3" (76mm)

6" FlashSealR® FOAM FLASHING TAPE

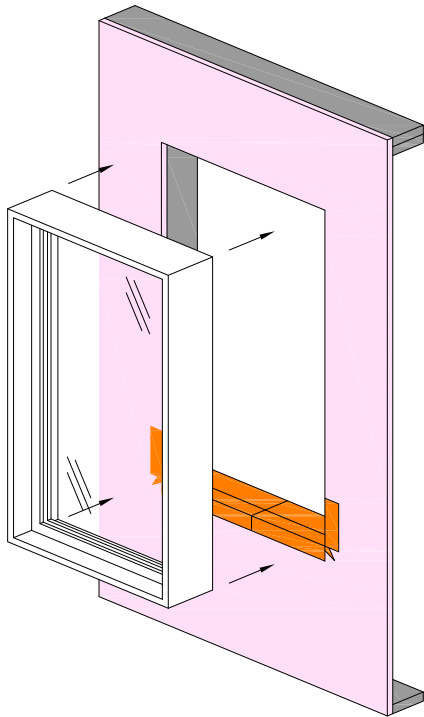
STEP 7: (Flanged Window) INSTALL JAMB FLASHING

6" FlashSealR® FOAM FLASHING TAPE



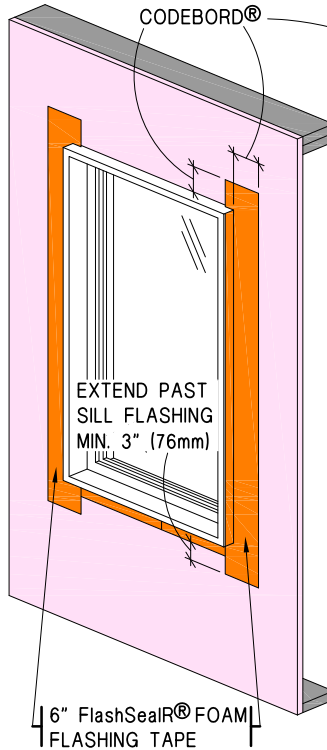
EXTEND PAST JAMB FLASHING MIN. 3" (76mm)

STEP 8: (Flanged Window) INSTALL HEAD FLASHING TAPE



STEP 6: (Box Window) INSTALL WINDOW

MIN. 4" (102mm) ON FOAMULAR® CODEBORD®

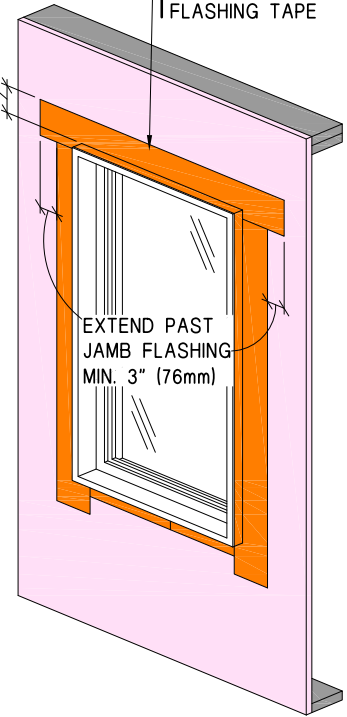


EXTEND PAST SILL FLASHING MIN. 3" (76mm)

6" FlashSealR® FOAM FLASHING TAPE

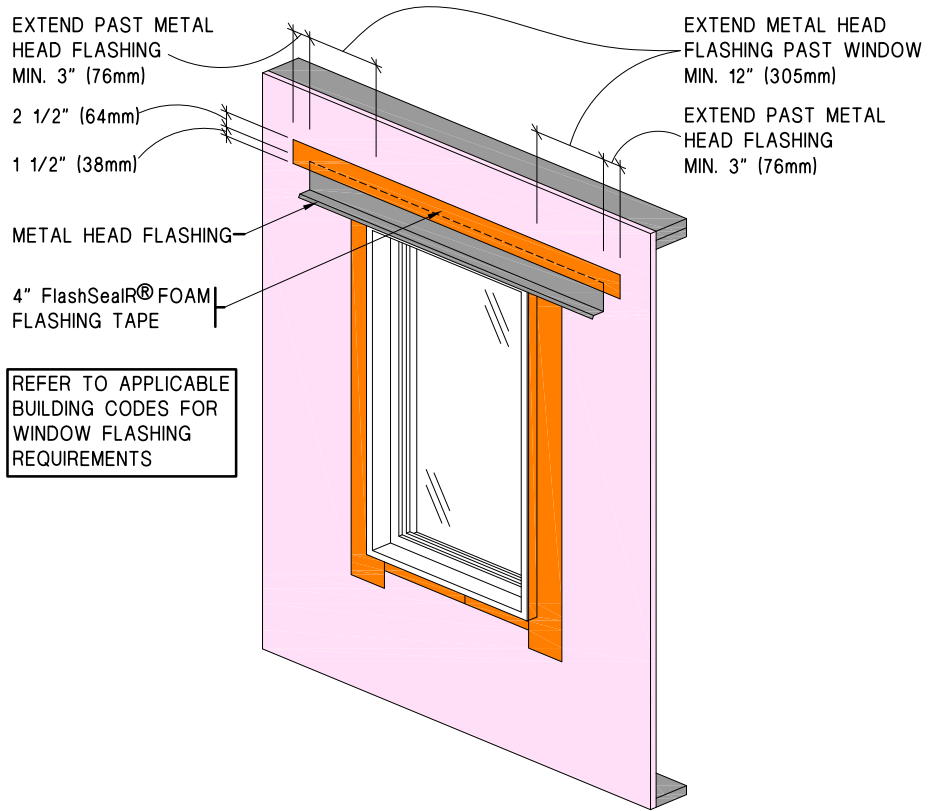
STEP 7: (Box Window) INSTALL JAMB FLASHING

6" FlashSealR® FOAM FLASHING TAPE

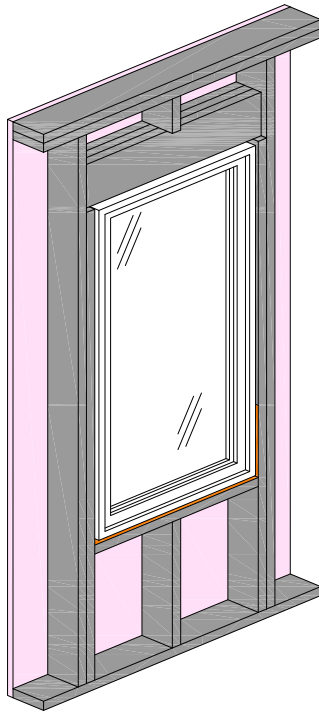


EXTEND PAST JAMB FLASHING MIN. 3" (76mm)

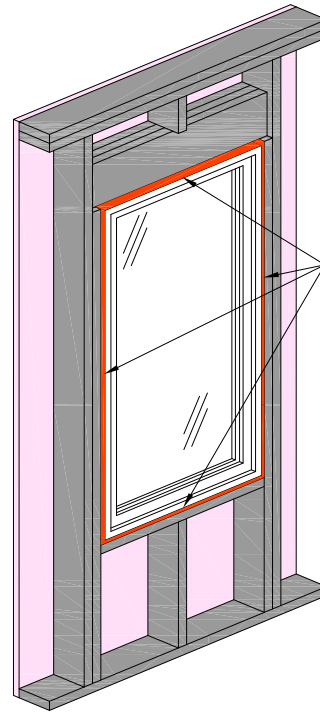
STEP 8: (Box Window) INSTALL HEAD FLASHING TAPE



STEP 9:
INSTALL HEAD FLASHING



(INTERIOR VIEW OF INSTALLED WINDOW)



SPRAY FOAM SEALANT OR ACOUSTICAL CAULKING TO ENTIRE PERIMETER OF WINDOW

STEP 10:
AIR SEAL WINDOW PERIMETER